

# Vandeffektive mejerier

- et partnerskab på vejen mod det vandløse mejeri

**Martin Andersen**

Business Development Manager, Industry and Water Technologies

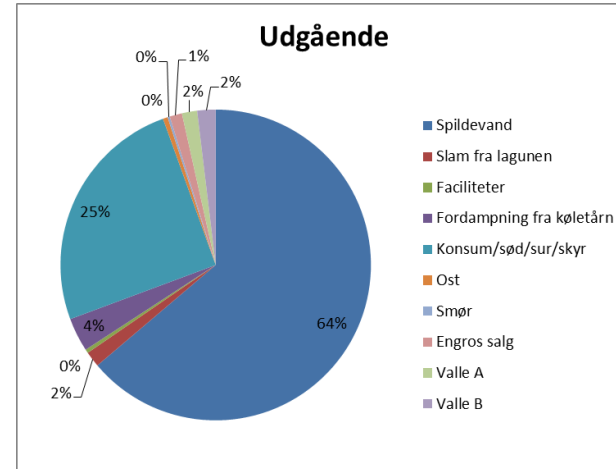
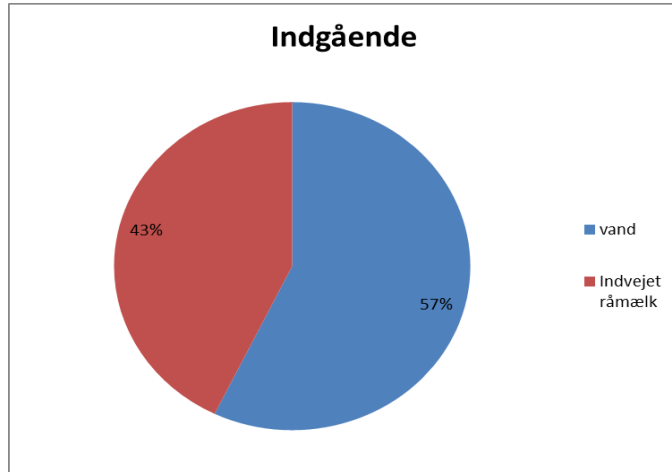


1964 - 2014

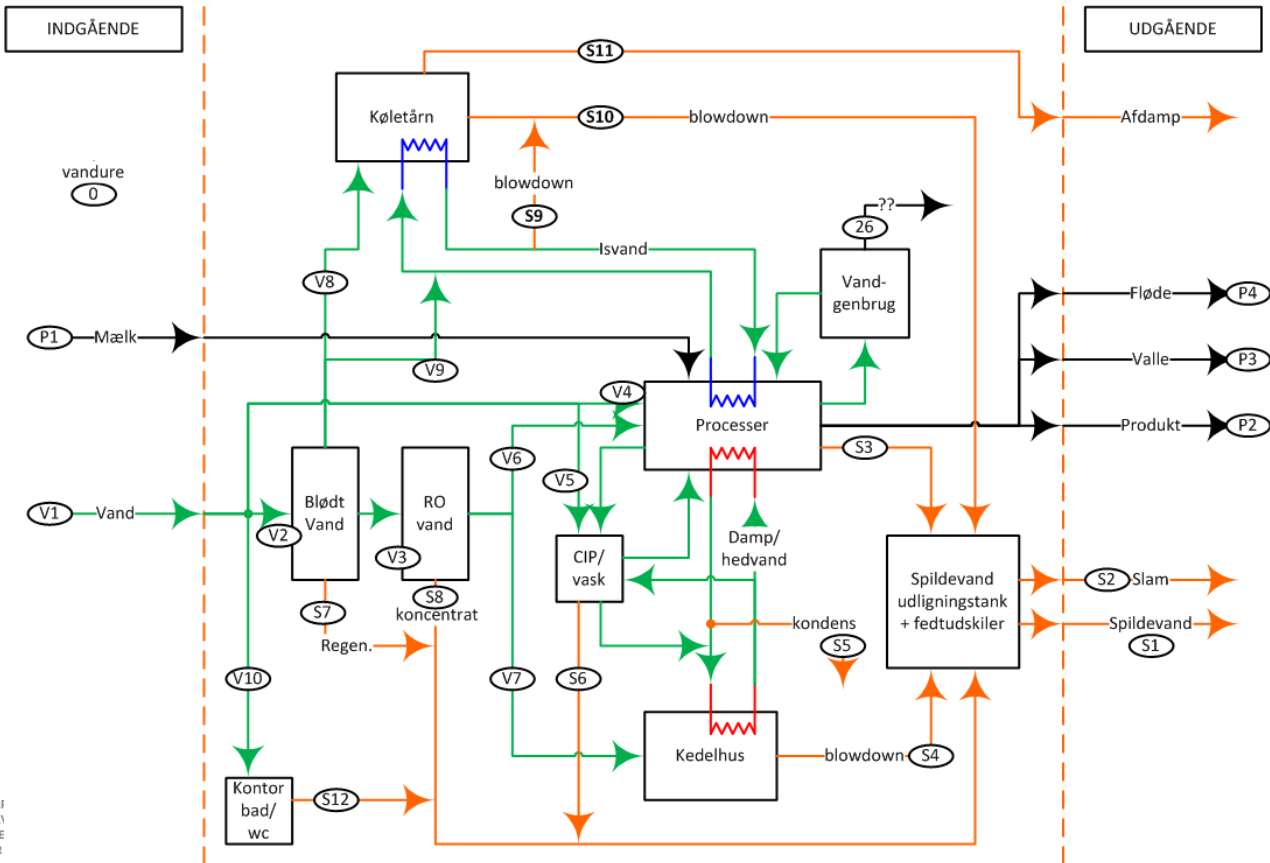
50 YEARS  
OF SOLVING  
CHALLENGES IN  
WATER ENVIRONMENTS



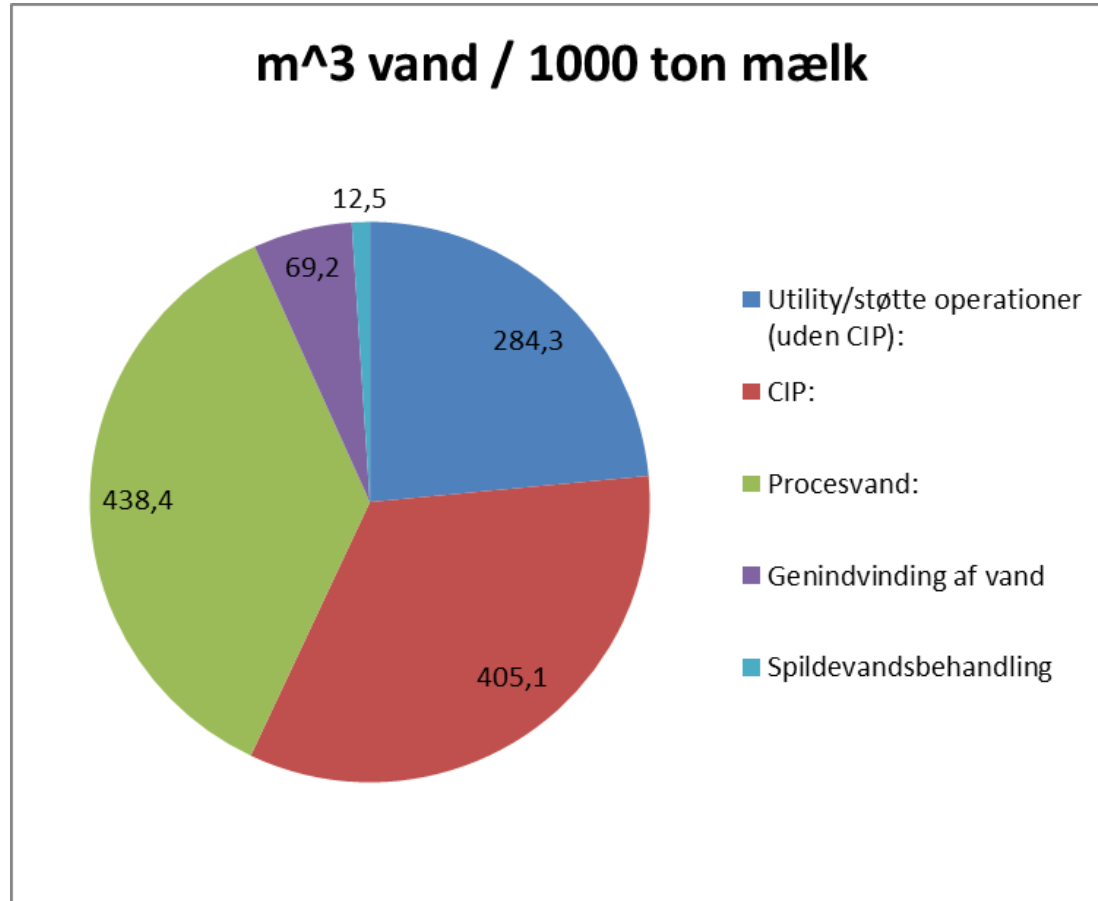
# Niveau 0



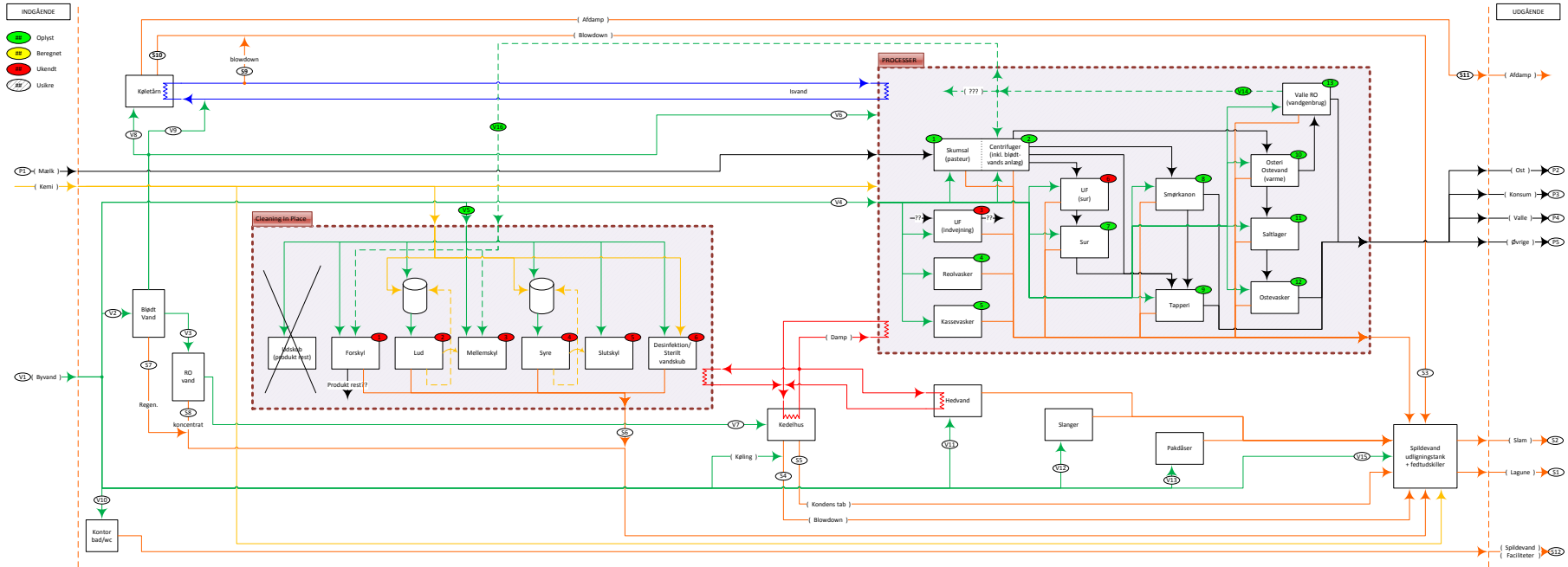
# Kortlægning: Niveau 1



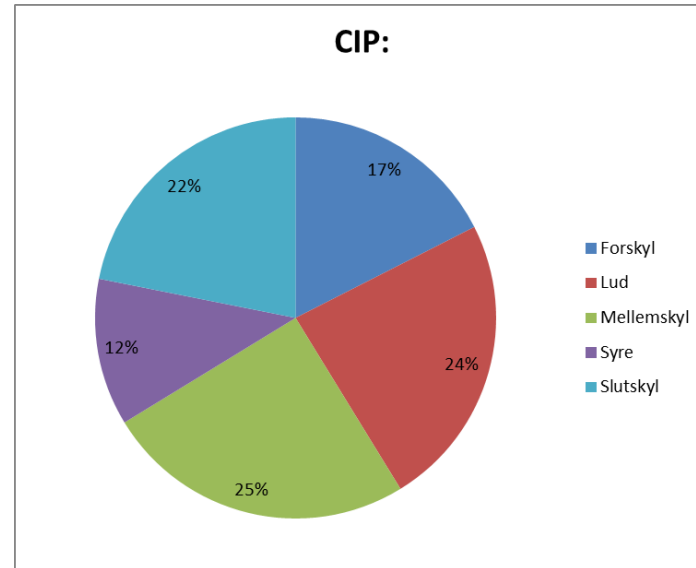
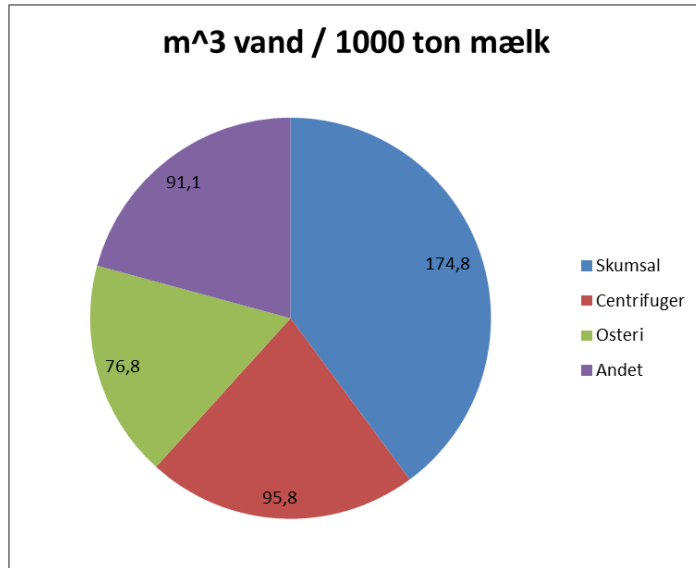
# Niveau 1



# Niveau 2

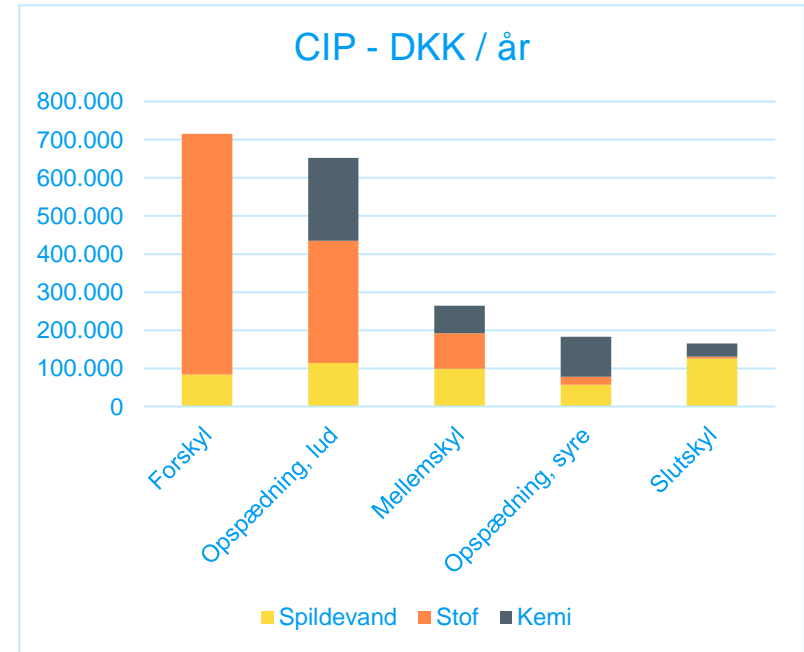
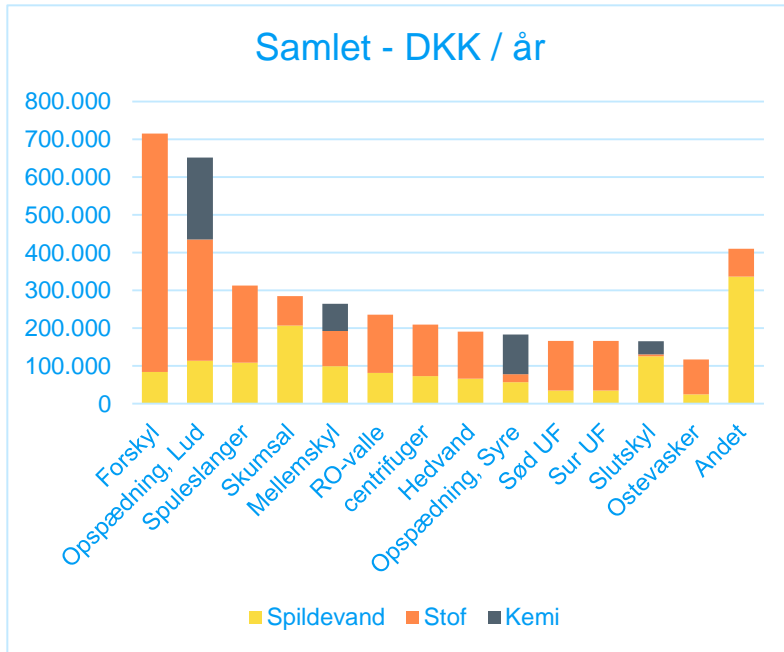


# Niveau 2a



Thise

# "Spild" til kloak -Thise



# Tak for opmærksomheden



1964 - 2014

50 YEARS  
OF SOLVING  
CHALLENGES IN  
WATER ENVIRONMENTS





# About DHI

DHI are the first people you should call when you have a tough challenge to solve in a water environment.

In the world of water, our knowledge is second-to-none, and we strive to make it globally accessible to clients and partners.

So whether you need to save water, share it fairly, improve its quality, quantify its impact or manage its flow, we can help. Our knowledge, combined with our team's expertise and the power of our technology, hold the key to unlocking the right solution.